

# Troffers



## Features & Benefits:

- UL/cUL DLC 4.2 with isolated external power supply
- AC100-277V, 0-10V dimmable
- LED Source: SMD2835, CRI>80, LM80 report
- Longbright Driver: PF>0.95, THD<20%, Non-flicker
- ABS frame
- Ideal replacement for traditional troffer with over 80% energy saving!
- 5 years warranty

# Specifications



## Technical Specification

Input Voltage: AC100V~277V 50Hz~60Hz

THD: < 20%

PF: >0.95 Non-flicker

Power Efficiency: >90 %

Color Temperature: Warm White (3000-3500K)

Pure White(4000-4500K)

Cool White(5000-5500K)

Color Rendering Index: CRI >80

Beam Angle: 120°

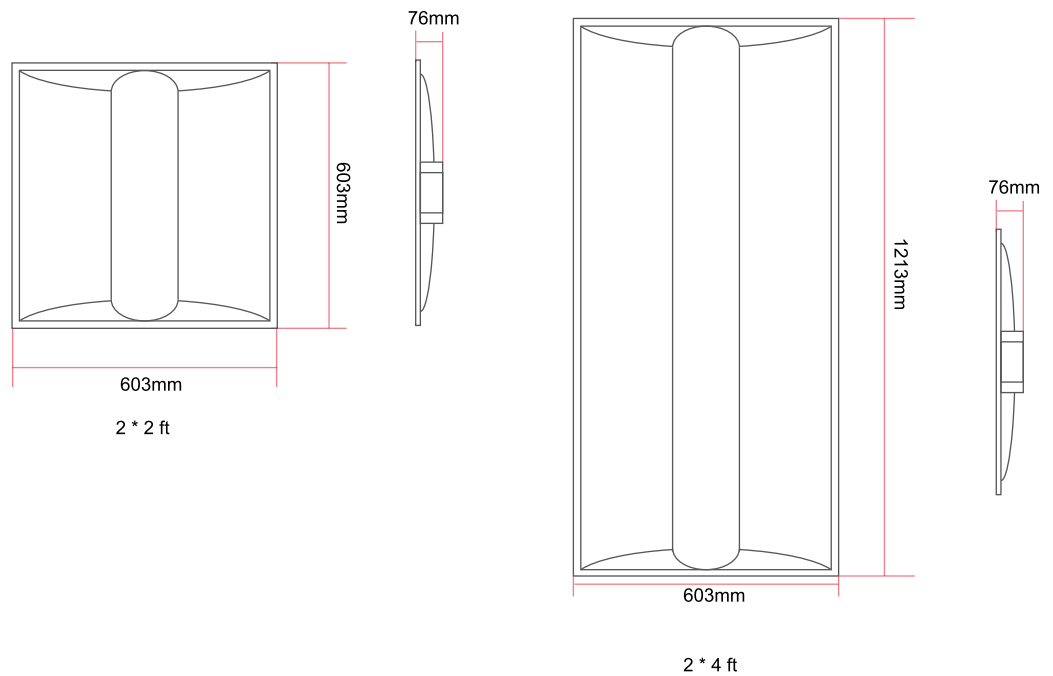
Material:ABS+PC

Working Temperature: -20 C ~ +45 C

Storage Temperature: -25 C ~ +65 C

IP Grade:IP40

Working Life-span: 50,000H



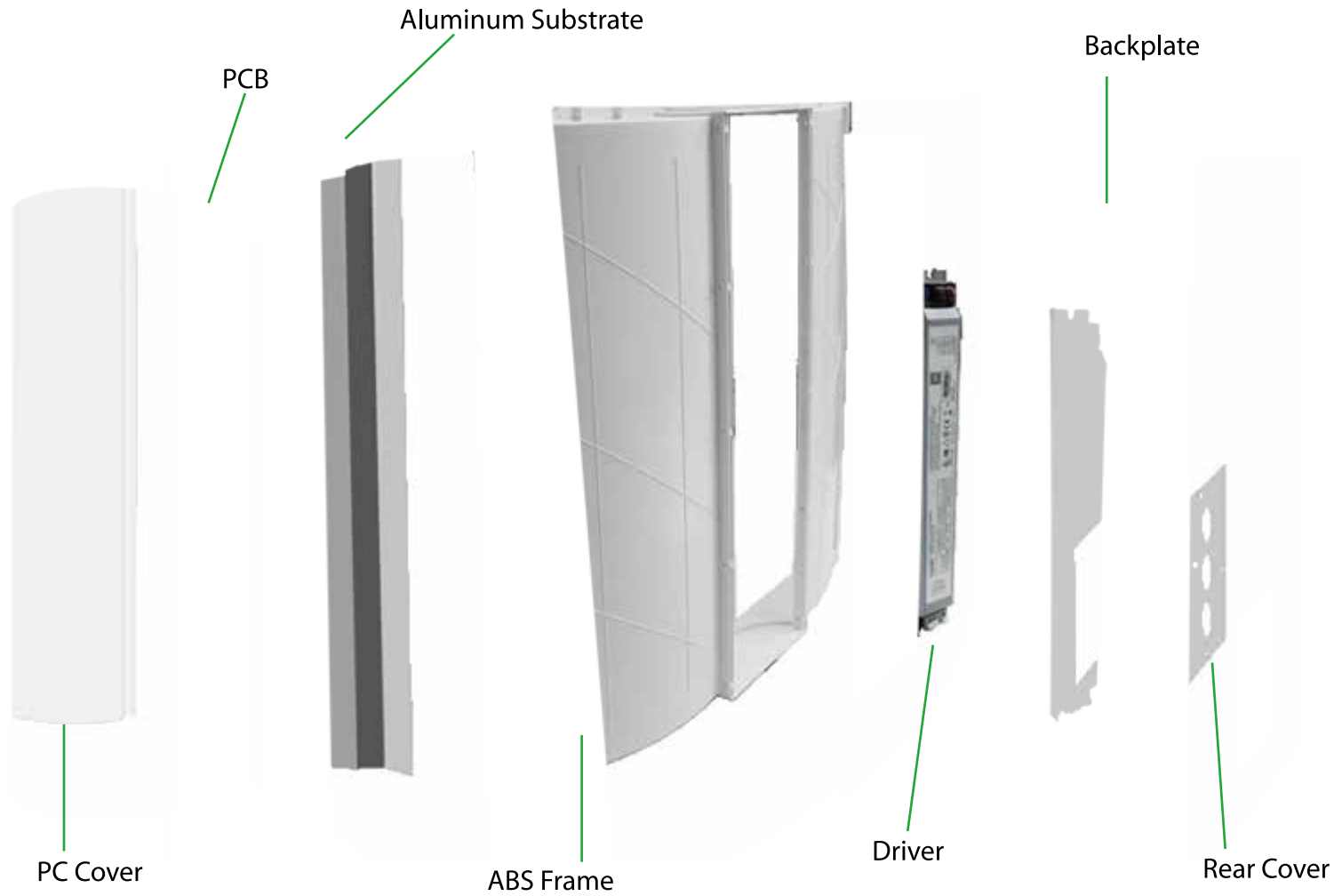
# Specifications



Model	Watt	Input Voltage	Lumens	LEDs	Size(mm)	CCT	N.W
TL-28W-22Q-28-TG-03	28W	AC 100-277V	100-110 lm/W	SMD2835	2 * 2 ft	3000K-3500K	2.55 kg/pc
TL-35W-22Q-28-TG-03	35W					4000K-4500K	
TL-36W-24Q-28-TG-03	36W				2 * 4 ft	5000K-5500K	5.2 kg/pc
TL-45W-24Q-28-TG-03	45W						
TL-50W-24Q-28-TG-03	50W						
TL-60W-24Q-28-TG-03	60W						



# Structures



# Driver

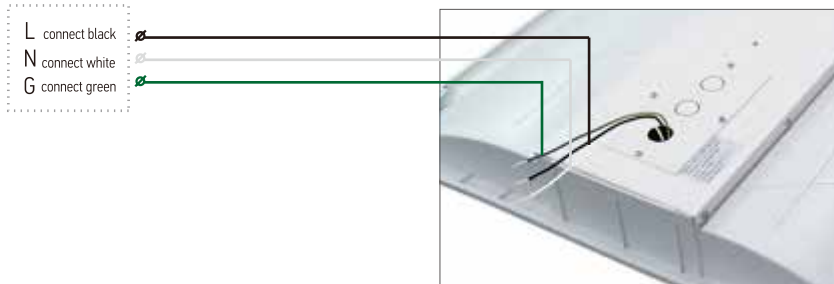


- Intelligent IC control
- OCP/SCP/LVP
- PF>0.95
- Insulated circuits
- Insulated synthetic aluminum shell

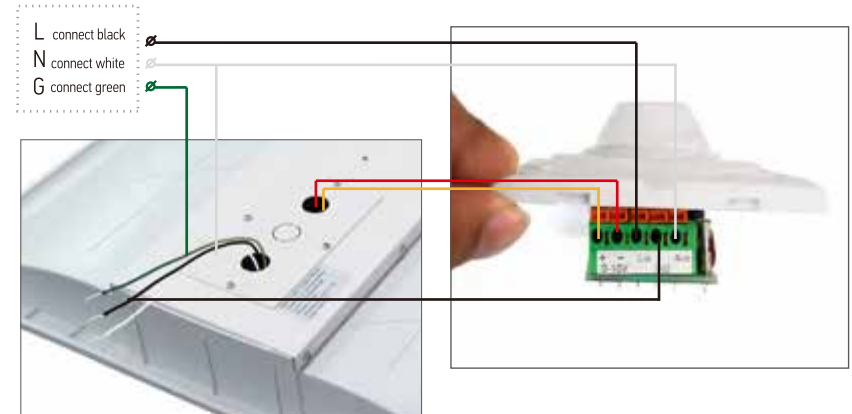
# Wire connection



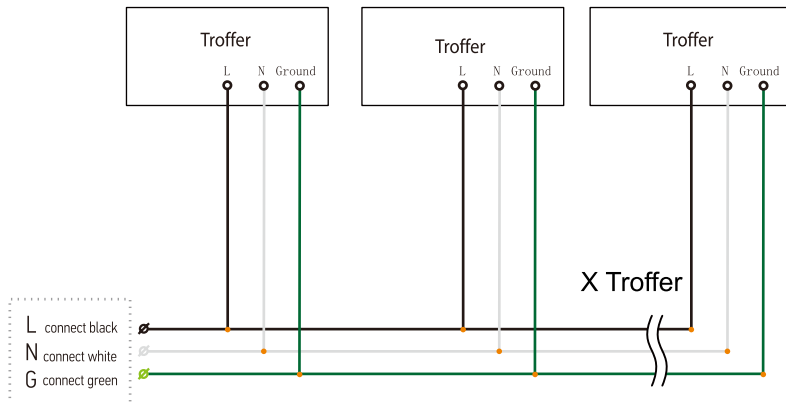
Wire connection



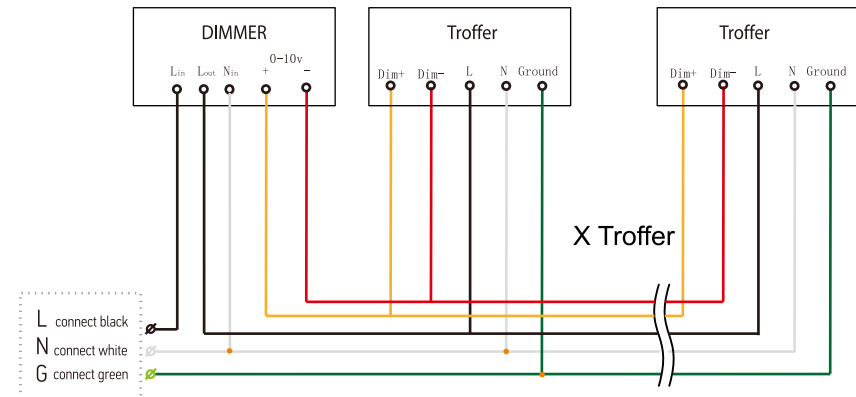
Wiring of troffer with 0-10V dimmable driver



Wire connection



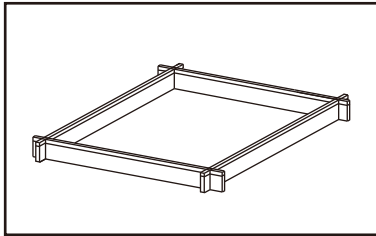
Wiring of troffer with 0-10V dimmable driver



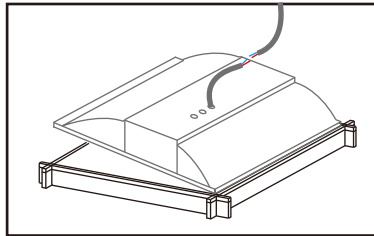
# INSTALLATION



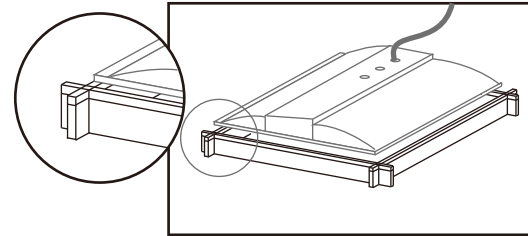
## installation



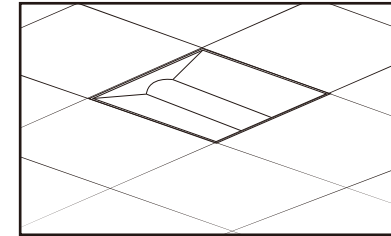
1.Remove Ceiling plaster slab.



2.Connect power supply.



3.Fix the troffer light into right place.



4.Stabilize the troffer light.

## package

Item	N.W.	Carton Size(mm)	Qty	G.W.	Quantity loaded by 20 GP container	Quantity loaded by 40 GP container	Quantity loaded by 40 HQ container
2 x 2 FT	2.55 kg/pc	630x625x330	4pcs/CTN	14.2 kg/CTN	764	1724	2000
2 x4 FT	5.1 kg/pc	1235x625x170	2pcs/CTN	13.9 kg/CTN	236	626	836

# CONTACT US



## Contact US



Tel : (845) 300-9399



E-mail : [billn@rocklandled.com](mailto:billn@rocklandled.com)



Web : [www.rocklandled.com](http://www.rocklandled.com)



Add : 201 Main Street, Nyack, New York 10960