

UFO High Bay



Features & Benefits:

- Lifud brand power supply
- Super bright LM80 LED 3030SMD, CRI>70
- Lumen output : 125-130lm/w
- Lifud brand driver, PF>0.9, THD≤ 15%
- AC120-277V / 347-480V, 0/1-10V dimmable
- High Quality PC Lens
- Non-flicker, protect your eyes
- 5-7 days fast delivery once confirmed
- UL cUL certifications
- Ideal replacement for traditional high bay with over 80% energy saving
- 5 Years warranty



Specifications

Technical Specification

Input Voltage: AC120V~277V / 347~480V, 50Hz~60Hz

THD: $\leq 15\%$

PF: >0.90 Non-Flicker

Power Efficiency: $>90\%$

LED light source: high bright SMD3030

Color Temperature: 3000K, 4000K, 5000K

Color Rendering Index: CRI >70

Multiple beam angle: 60°, 90°, 120°

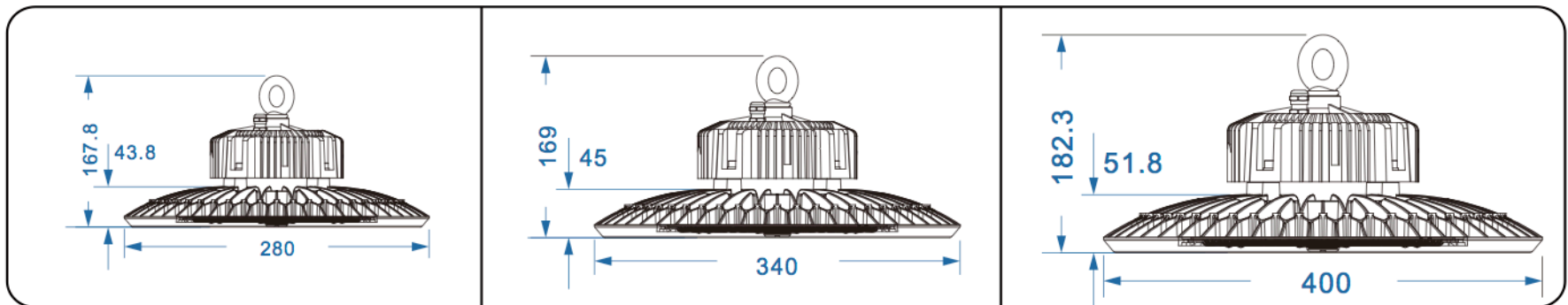
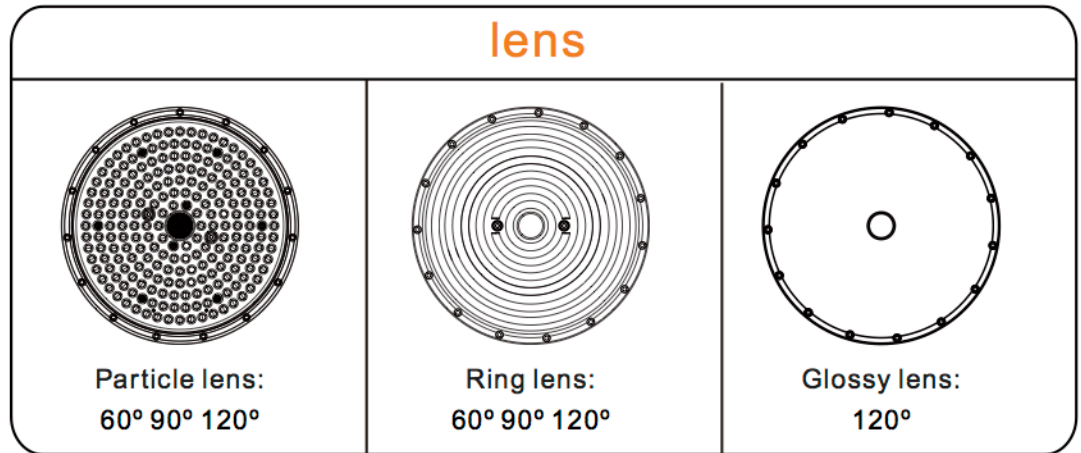
Material: PC + AL

Working Temperature: $-20^{\circ}\text{C} \sim +45^{\circ}\text{C}$

Storage Temperature: $-25^{\circ}\text{C} \sim +65^{\circ}\text{C}$

IP Grade : IP65

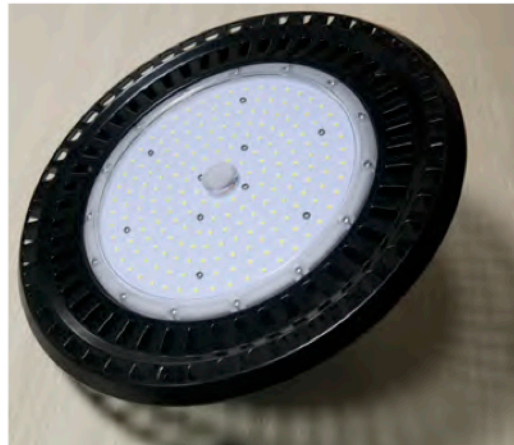
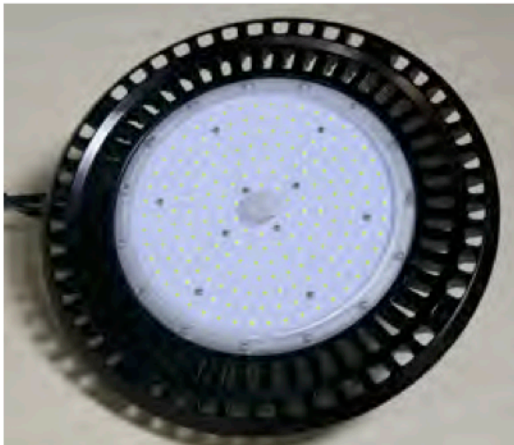
Working Life-span: 50,000H



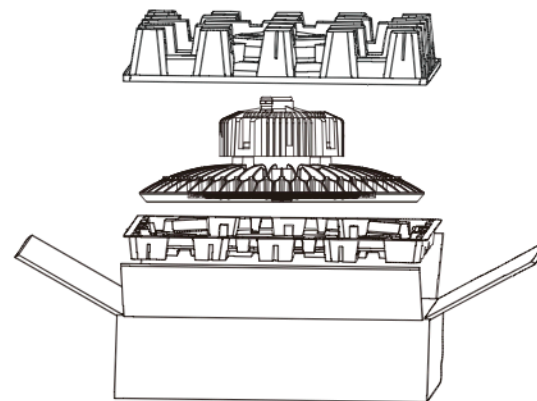
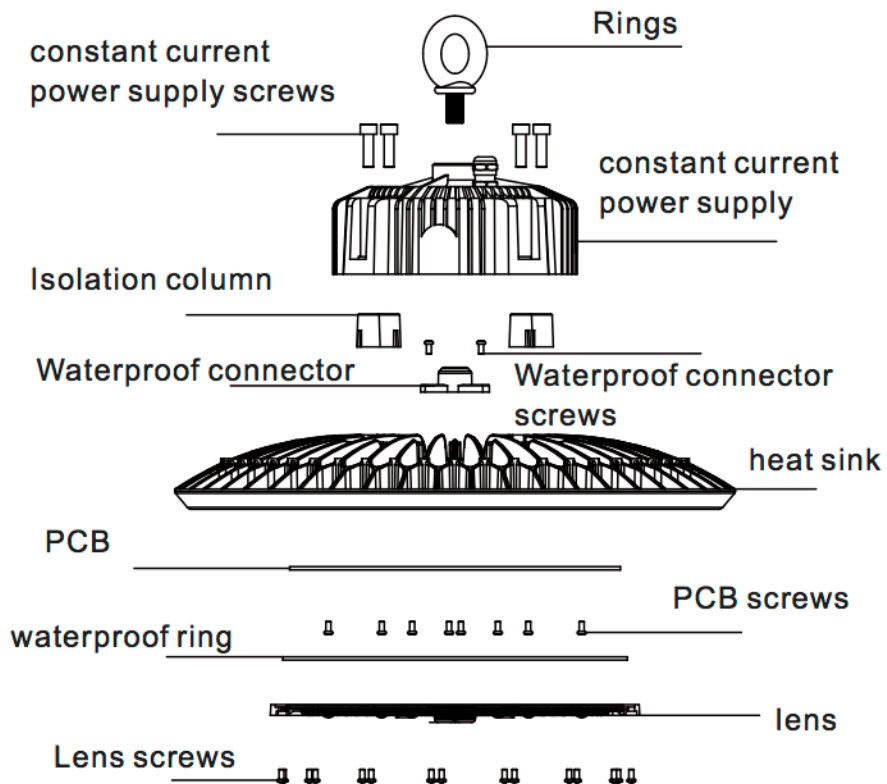
Parameters

Parameters

Model	Watt	Input Voltage	Lumens	Size	CCT	N.W
UHB28-100	100W	AC120-277V or AC347-480V	130lm/W or 160lm/W	φ 280*167.8mm	3000K~5000K	3.5 kg/pc
UHB34-150	150W			φ 340*169.0 mm		4.5 kg/pc
UHB40-200	200W			φ 400*182.3 mm		6.5 kg/pc
UHB40-240	240W			φ 400*182.3 mm		7.5 kg/pc

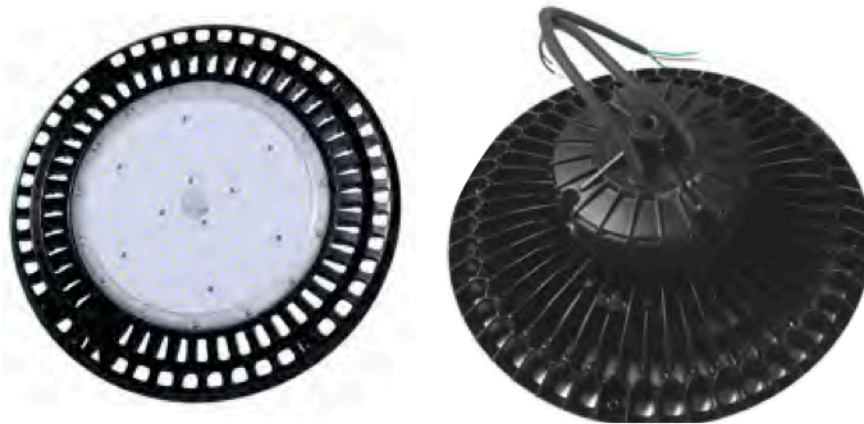


Structure & Packaging



Item	N.W	G.W	CTN Size
100W	3.5 kg	4.2 kg	360x360x210mm 1pc/CTN
150W	4.5 kg	5.7 kg	380x380x210mm 1pc/CTN
200W	6.5 kg	7.8 kg	445x445x220mm 1pc/CTN
240W	7.5 kg	9.2 kg	445x445x220mm 1pc/CTN

Optional Functions



DM(Dimming function)



SN(Sensing function)



EP(Emergency function)

Contact Us



Tel : (845) 300-9399

E-mail : billn@rocklandled.com

Web : www.rocklandled.com



Add : 425 Western Highway, Tappan NY 10983