



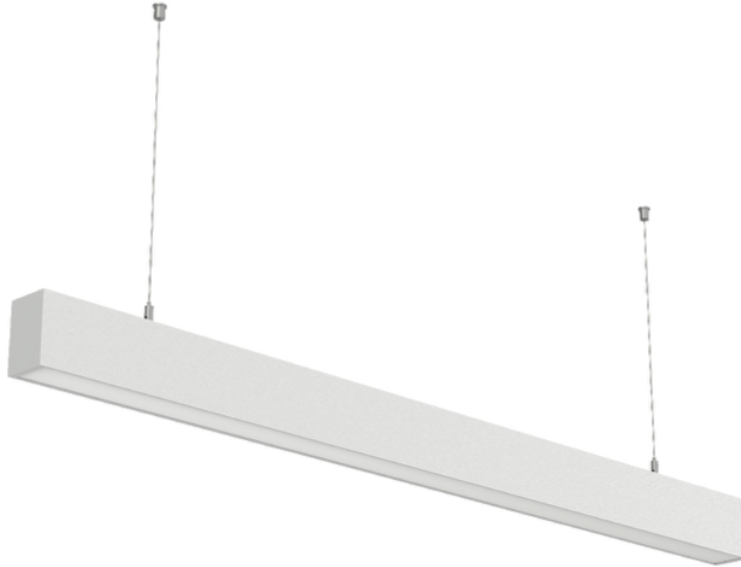
ROCKLAND LED LLC.

201 Main St. Nyack, NY 10960 | (845) 300-9399 | billn@rocklandled.com | www.rocklandled.com



LED Linear Light

SL8456 in single run (0-10V Dimming)



Description

SL8456 linear light is combination of separated structures, it is convenient to dismantle and maintain because of its replaceable power supply and lighting emitting parts (PCB+LEDs), simple shape and random jointing can be realized IP40 waterproof, it is can be widely used in home, school, shopping mall, hotel and other indoor public places and it is mainly made of aluminum alloy, PC.

Applications

Can be widely used in home, school, shopping mall, hotel and other indoor public places.





Features

1. The product can operate in single run or continuous runs seamless, when input voltage is AC277V, Max 3600W(350feet) can be connected; when input voltage is 110V, Max 1500W(150feet) can be connected.



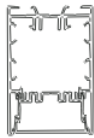
2. The lamp and power supply is connected with high-voltage live part via connector; it is very convenient to install and disassemble, and it is also safe and reliable to use



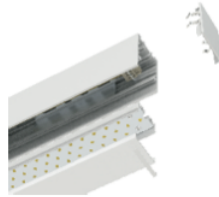
3. Lamp body adopt 6063 aluminum profile, optional white, black and silver



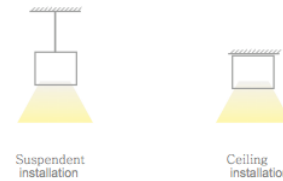
4. PC diffuser and AL6063 aluminum profile, with good heat distribution and high light efficiency.



5. The end cap, power supply, emitting parts can be disassembled, convenient to maintain.



6.2 installation methods, suspending installation ceiling installation.



7. Multiple jointing can realized via "+" "L" shape connecting accessories



Lamp body

Model	CCT	LED Type	LED pcs	Lumen(lm) (±10%)	Power(W) (±10%)	Length (feet)	Voltage (V)	Dimming Optional	Pre-wired
SC-SL8456-040-AW-A02-03CW	5000K	2835	260	4320lm	40W	4	AC100-277V 50/60Hz	0-10V Dimming	5 wires, 14AWG copper core,L,N,G, DIM+,DIM-
SC-SL8456-040-AW-A02-03NW	4000K		260	4280lm	40W	4			
SC-SL8456-040-AW-A02-03WW	3000K		260	4120lm	40W	4			
SC-SL8456-075-AW-A02-03CW	5000K	2835	462	7875lm	75W	8			
SC-SL8456-075-AW-A02-03NW	4000K		462	7725lm	75W	8			
SC-SL8456-075-AW-A02-03WW	3000K		462	7650lm	75W	8			



“L” shape lamp

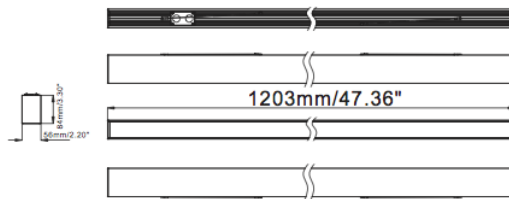
Model	CCT	LED Type	LED pcs	Lumen(lm) (±10%)	Power(W) (±10%)	Length (feet)	Voltage (V)	Dimming Optional	Pre-wired
SC-SL8456T-040-AW-A02-03CW	5000K	2835	216	4280lm	40W	2*2	AC100-277V 50/60Hz	0-10V Dimming	5 wires, 14AWG copper core,L,N,G, DIM+,DIM-
SC-SL8456T-040-AW-A02-03NW	4000K		216	4120lm	40W	2*2			
SC-SL8456T-040-AW-A02-03WW	3000K		216	4080lm	40W	2*2			

“+” shape lamp

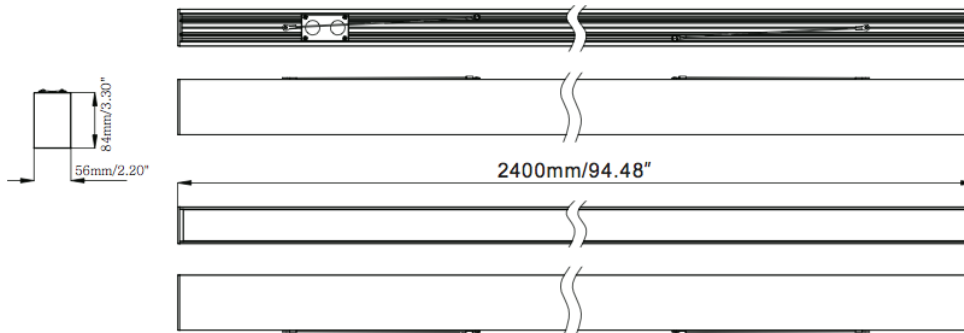
Model	CCT	LED Type	LED pcs	Lumen(lm) (±10%)	Power(W) (±10%)	Length (feet)	Voltage (V)	Dimming Optional	Pre-wired
SC-SL8456R-040-AW-A02-03CW	5000K	2835	216	4400lm	40W	2*2	AC100-277V 50/60Hz	0-10V Dimming	5 wires, 14AWG copper core,L,N,G, DIM+,DIM-
SC-SL8456R-040-AW-A02-03NW	4000K		216	4320lm	40W	2*2			
SC-SL8456R-040-AW-A02-03WW	3000K		216	4240lm	40W	2*2			

Beam angle	Energy saving	PF	CRI	IP	Life span	Lamp material
110°	90%	>0.95	≥80	IP40	30000hrs	Aluminum alloy+PC

Dimensions(Unit:mm/inch)



All dimension tolerance is ± 1mm unless otherwise noted.



All dimension tolerance is ± 2mm unless otherwise noted.