



LED CORN BULB

Custom LED Lighting Solutions



LAMP HOLDER

The white base is heat, water, dust, and insect resistant.



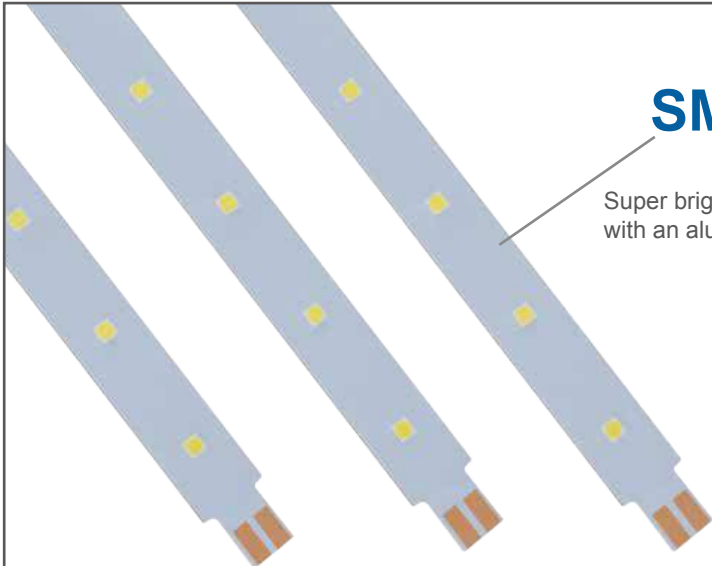
BOTTOM BASE

PC lenses improve the brightness of the LEDs and the aluminum base help dissipates the heat.



SMD 3030

Super bright SMD 3030 LEDs with an aluminum PCB board.



CAPACITOR

Rubycon capacitors improve the drivers stability and reliability.



Features

Shell Material: Aluminum (+ PC cover)

CRI : ≥80

PF: >0.90 Non Flicker

Lifespan : 50,000h

LED Chips: Epistar

Warranty : 5 year

Emitting Color : 3000K-6500K

Beam angle: 360°

Certification : ROHS/FCC/DLC/ETL

Parameter

Model	Watt	LED Qty	Size	Lumen	IP Grade
CL-27W-30-WP	27 W	130 pcs	φ 93*195 mm	2970lm±100lm	IP 64
CL-36W-30-WP	36 W	130 pcs	φ 93*222 mm	3960lm±100lm	IP 64
CL-45W-30-WP	45 W	130 pcs	φ 93*256 mm	4950lm±100lm	IP 64
CL-54W-30-WP	54 W	130 pcs	φ 93*283 mm	5940lm±100lm	IP 64
CL-27W-30-NWP	27 W	42 pcs	φ 93*215 mm	2970lm±100lm	IP 44
CL-36W-30-NWP	36 W	70 pcs	φ 93*257 mm	3960lm±100lm	IP 44
CL-45W-30-NWP	45 W	70 pcs	φ 93*270 mm	4950lm±100lm	IP 44
CL-54W-30-NWP	54 W	70 pcs	φ 93*277 mm	5940lm±100lm	IP 44
CL-80W-30-NWP	80 W	210 pcs	φ 120*280 mm	8800lm±100lm	IP 44
CL-100W-30-NWP	100 W	245 pcs	φ 120*299 mm	11000lm±100lm	IP 44
CL-120W-30-NWP	120 W	252 pcs	φ 120*338 mm	13200lm±100lm	IP 44



CL-27W-30-WP

Shell Material: Aluminum + PC cover

Input Voltage : AC100-277V

LED Source : SMD3030 130pcs

Beam angle: 360°

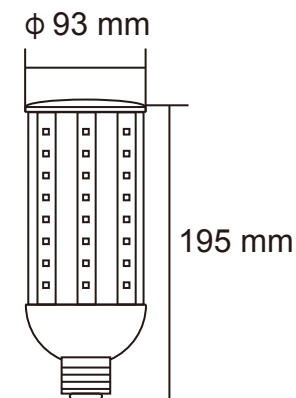
PF : ≥ 0.90 Non Flicker

CRI : ≥ 80

IP Grade : IP64

Warranty : 5 years

Lifespan : 50,000h



RoHS



FCC



DLC



ETL

Base: E26/E39

Lumens : 2970lm \pm 100lm

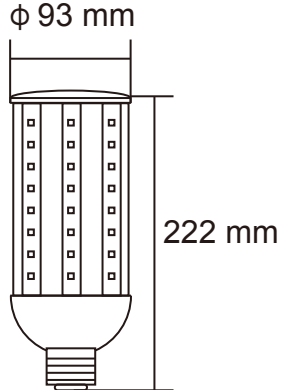
Certification : ROHS / FCC / DLC / ETL

Colour temperature: Warm White (3000-3500K), Pure White(4000-4500K), Cool White(5000-5500K)



CL-36W-30-WP

Shell Material: Aluminum + PC cover
Input Voltage : AC100-277V
LED Source : SMD3030 130pcs
Beam angle: 360°
PF : ≥ 0.90 Non Flicker
CRI : ≥ 80
IP Grade : IP64
Warranty : 5 years
Lifespan : 50,000h



RoHS



FCC



DLC



ETL

Base: E26/E39
Lumens : 3960lm \pm 100lm
Certification : ROHS / FCC / DLC / ETL
Colour temperature: Warm White (3000-3500K), Pure White(4000-4500K), Cool White(5000-5500K)



CL-45W-30-WP

Shell Material: Aluminum + PC cover

Input Voltage : AC100-277V

LED Source : SMD3030 130pcs

Beam angle: 360°

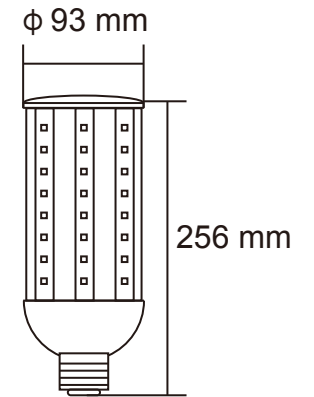
PF : ≥ 0.90 Non Flicker

CRI : ≥ 80

IP Grade : IP64

Warranty : 5 years

Lifespan : 50,000h



RoHS



FCC



DLC



ETL

Base: E26/E39

Lumens : 4950lm \pm 100lm

Certification : ROHS / FCC / DLC / ETL

Colour temperature: Warm White (3000-3500K), Pure White(4000-4500K), Cool White(5000-5500K)



CL-54W-30-WP

Shell Material: Aluminum + PC cover

Input Voltage : AC100-277V

LED Source : SMD3030 130pcs

Beam angle: 360°

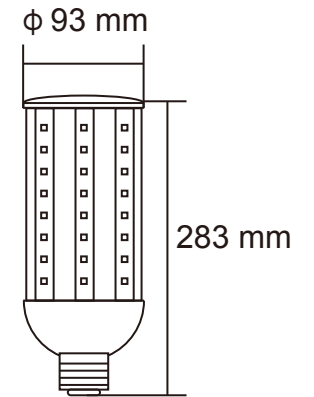
PF : ≥ 0.90 Non Flicker

CRI : ≥ 80

IP Grade : IP64

Warranty : 5 years

Lifespan : 50,000h



RoHS



FCC



DLC



ETL

Base: E26/E39

Lumens : 5940lm \pm 100lm

Certification : ROHS / FCC / DLC / ETL

Colour temperature: Warm White (3000-3500K), Pure White(4000-4500K), Cool White(5000-5500K)



CL-27W-30-NWP

Shell Material: Aluminum + ABS

Input Voltage : AC100-277V

LED Source : SMD3030 42pcs

Beam angle: 360°

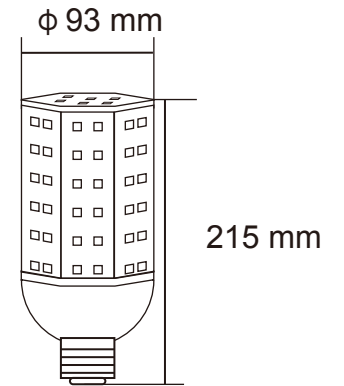
PF : ≥ 0.90 Non Flicker

CRI : ≥ 80

IP Grade : IP44

Warranty : 5 years

Lifespan : 50,000h



RoHS



FCC



DLC



ETL

Base: E26/E39

Lumens : 2970lm \pm 100lm

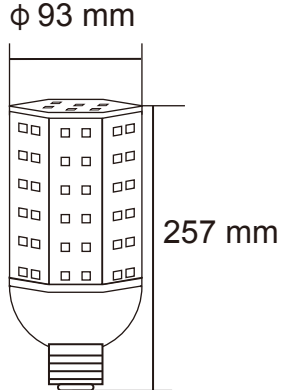
Certification : ROHS / FCC / DLC / ETL

Colour temperature: Warm White (3000-3500K), Pure White(4000-4500K), Cool White(5000-5500K)



CL-36W-30-NWP

Shell Material: Aluminum + ABS
Input Voltage : AC100-277V
LED Source : SMD3030 70pcs
Beam angle: 360°
PF : ≥0.90 Non Flicker
CRI : ≥80
IP Grade : IP44
Warranty : 5 years
Lifespan : 50,000h



RoHS



FCC



DLC



ETL

Base: E26/E39
Lumens : 3960lm±100lm
Certification : ROHS / FCC / DLC / ETL
Colour temperature: Warm White (3000-3500K), Pure White(4000-4500K), Cool White(5000-5500K)



CL-45W-30-NWP

Shell Material: Aluminum + ABS

Input Voltage : AC100-277V

LED Source : SMD3030 70pcs

Beam angle: 360°

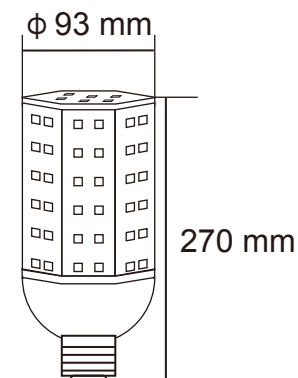
PF : ≥ 0.90 Non Flicker

CRI : ≥ 80

IP Grade : IP44

Warranty : 5 years

Lifespan : 50,000h



RoHS



FCC



DLC



ETL

Base: E26/E39

Lumens : 4950lm \pm 100lm

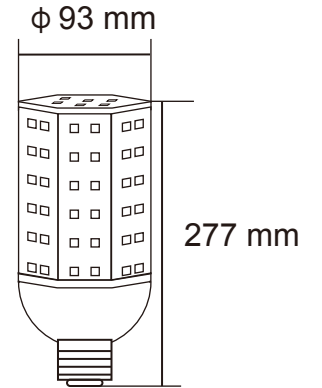
Certification : ROHS / FCC / DLC / ETL

Colour temperature: Warm White (3000-3500K), Pure White(4000-4500K), Cool White(5000-5500K)



CL-54W-30-NWP

Shell Material: Aluminum + ABS
Input Voltage : AC100-277V
LED Source : SMD3030 70pcs
Beam angle: 360°
PF : ≥ 0.90 Non Flicker
CRI : ≥ 80
IP Grade : IP44
Warranty : 5 years
Lifespan : 50,000h



RoHS



FCC



DLC



ETL

Base: E26/E39

Lumens : 5940lm \pm 100lm

Certification : ROHS / FCC / DLC / ETL

Colour temperature: Warm White (3000-3500K), Pure White(4000-4500K), Cool White(6000-6500K)



CL-80W-30-NWP

Shell Material: Aluminum + ABS

Input Voltage : AC100-277V

LED Source : SMD3030 210 pcs

Beam angle: 360°

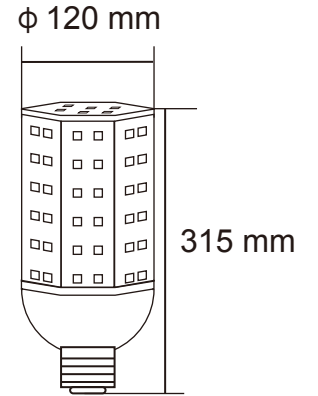
PF : ≥ 0.90 Non Flicker

CRI : ≥ 80

IP Grade : IP44

Warranty : 5 years

Lifespan : 50,000h



RoHS



FCC



DLC



ETL

Base: E39

Lumens : 8800lm \pm 100lm

Certification : ROHS / FCC / DLC / ETL

Colour temperature: Warm White (3000-3500K), Pure White(4000-4500K), Cool White(5000-5500K)

CL-100W-30-NWP



Shell Material: Aluminum + ABS

Input Voltage : AC100-277V

LED Source : SMD3030 245pcs

Beam angle: 360°

PF : ≥ 0.90 Non Flicker

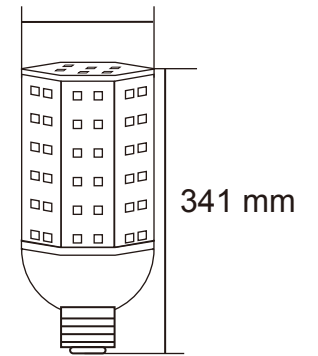
CRI : ≥ 80

IP Grade : IP44

Warranty : 5 years

Lifespan : 50,000h

ϕ 120 mm



RoHS



FCC



DLC



ETL

Base: E39

Lumens : 11000lm \pm 100lm

Certification : ROHS / FCC / DLC / ETL

Colour temperature: Warm White (3000-3500K), Pure White(4000-4500K), Cool White(5000-5500K)



CL-120W-30-NWP

Shell Material: Aluminum + ABS

Input Voltage : AC100-277V

LED Source : SMD3030 252pcs

Beam angle: 360°

PF : ≥ 0.90 Non Flicker

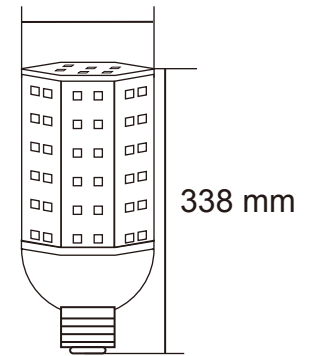
CRI : ≥ 80

IP Grade : IP44

Warranty : 5 years

Lifespan : 50,000h

ϕ 120 mm



RoHS



FCC



DLC



ETL

Base: E39

Lumens : 13200lm \pm 100lm

Certification : ROHS / FCC / DLC / ETL

Colour temperature: Warm White (3000-3500K), Pure White(4000-4500K), Cool White(5000-5500K)

**LIGHTING THE WORLD
ILLUMINATING THE FUTURE**

ROCKLAND LED LLC.

201 Main St. Nyack, NY 10960 | (845) 300-9399 | billn@rocklandled.com | www.rocklandled.com